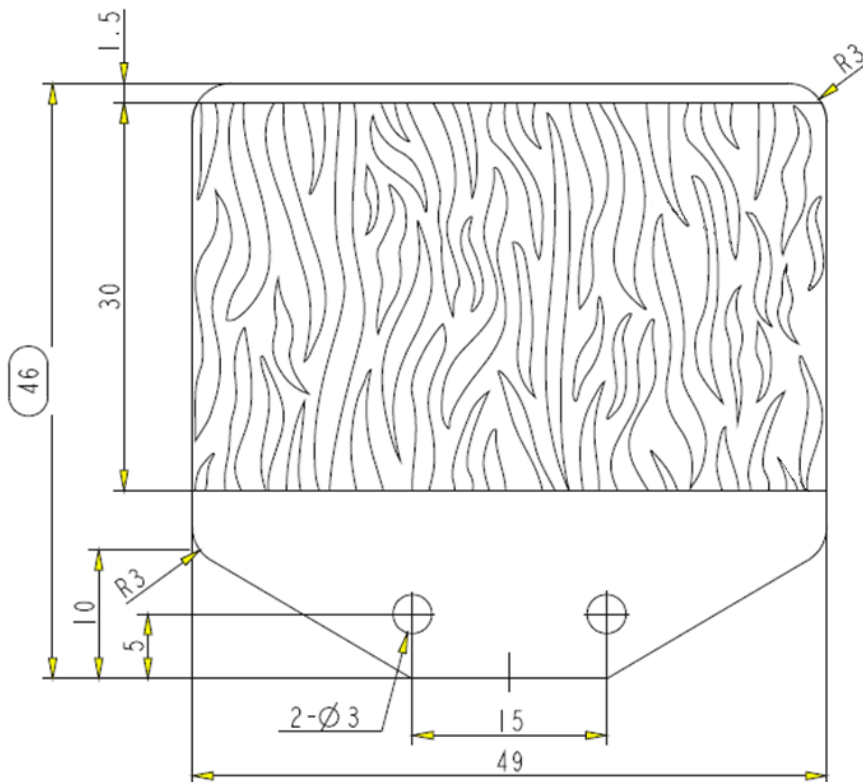


Question:

What size does a custom animation flag need to be for the Exterior Projection 500?

Answer:



Remarks:

1. Debris needs to be removed
2. Flatness requires within 0.2mm
3. Material 6061 aluminum, 0.8mm thick
4. Front side needs to be painted with high temperature paint

Exterior Projection 500
Animation Flag Dimensions
All dimensions in mm



About HARMAN Professional Solutions

HARMAN Professional Solutions is the world's largest professional audio, video, lighting, and control products and systems company. Our brands comprise AKG Acoustics®, AMX®, BSS Audio®, Crown International®, dbx Professional®, DigiTech®, JBL Professional®, Lexicon Pro®, Martin®, and Soundcraft®. These best-in-class products are designed, manufactured and delivered to a variety of customers in markets including tour, cinema and retail as well as corporate, government, education, large venue and hospitality. For scalable, high-impact communication and entertainment systems, HARMAN Professional Solutions is your single point of contact. www.harman.com