



LCT 81C/T Lay-In 2' x 2' Ceiling Tile Loudspeaker

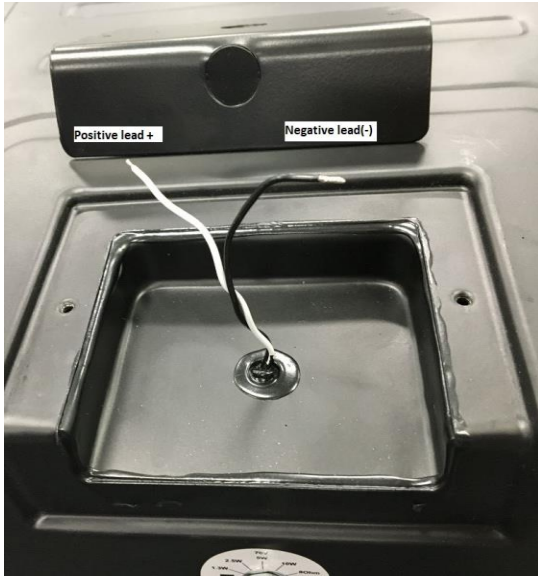
“The LCT 81C/T makes installation efficient and neat by laying directly into a US-size 2' x 2' suspended tile grid system without requiring cuts or modifications to the ceiling.” Featuring higher sensitivity and better voice intelligibility than other speakers in its class, the LCT 81C/T utilizes an 8-inch dual-cone driver with 1-inch voice coil to provide high quality sound in an easy-to-install design. The extremely low profile depth of just four inches allows the LCT 81C/T to be installed into shallow-depth ceiling locations where other ceiling loudspeakers do not fit, such as in older buildings with low ceiling decks or in spaces where the above-ceiling areas may be obstructed by pipes or ducts.

A built-in 10W transformer allows the LCT 81C/T to be used on 70V or 100V distributed speaker lines, or the speaker can be driven directly by a low-impedance power amplifier (at up to 20 Watts continuous average pink noise; 40 Watts program power). Adjustments are made using a convenient rotary switch on the side of the rear enclosure.

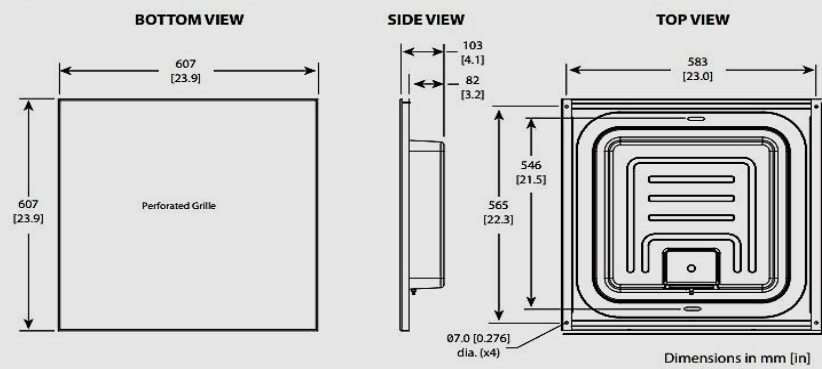
The LCT 81C/T features 96 dB sensitivity, delivering maximum sound levels and reducing costs by allowing installers to use smaller power amplifiers. A 100-degree conical coverage pattern provides superior speech intelligibility to a wide area, providing adequate coverage with fewer speakers and saving time and money during installation.

The LCT 81C/T expands upon a long line of JBL in-ceiling loudspeakers by seamlessly fitting into industry standard drop-ceiling grids. This form factor makes it easier and more cost-effective for installers working with suspended ceiling. UL 1480A and UL 2043 certifications ensure the LCT 81C/T is up to code. A perforated white grille is built into the LCT 81C/T. visit: <https://www.youtube.com/watch?v=exjYhVYjK7g> for more information about the LCT 81C/T, visit <http://www.jblpro.com/www/products/installed-sound/lct-lay-in-tile-speaker/lct-81c-t>

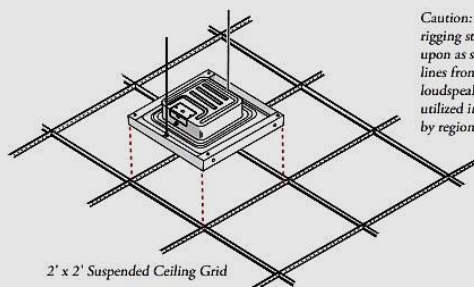




Dimensions:



Installation:



Caution: Installation must be done by qualified persons using safe rigging standards. Suspended ceiling grids can usually not be relied upon as sole support for loudspeaker. Diagram shows two support lines from suspension safety-attachment tabs on back baffle of loudspeaker. Four holes located near corners of frame can be utilized instead or in addition. Safety installation requirements vary by region. Consult a qualified installation professional.

About HARMAN Professional Solutions

HARMAN Professional Solutions is the world's largest professional audio, video, lighting, and control products and systems company. Our brands comprise AKG Acoustics®, AMX®, BSS Audio®, Crown International®, dbx Professional®, DigiTech®, JBL Professional®, Lexicon Pro®, Martin®, Soundcraft® and Studer®. These best-in-class products are designed, manufactured and delivered to a variety of customers in markets including tour, cinema and retail as well as corporate, government, education, large venue and hospitality. For scalable, high-impact communication and entertainment systems, HARMAN Professional Solutions is your single point of contact. www.harmanpro.com